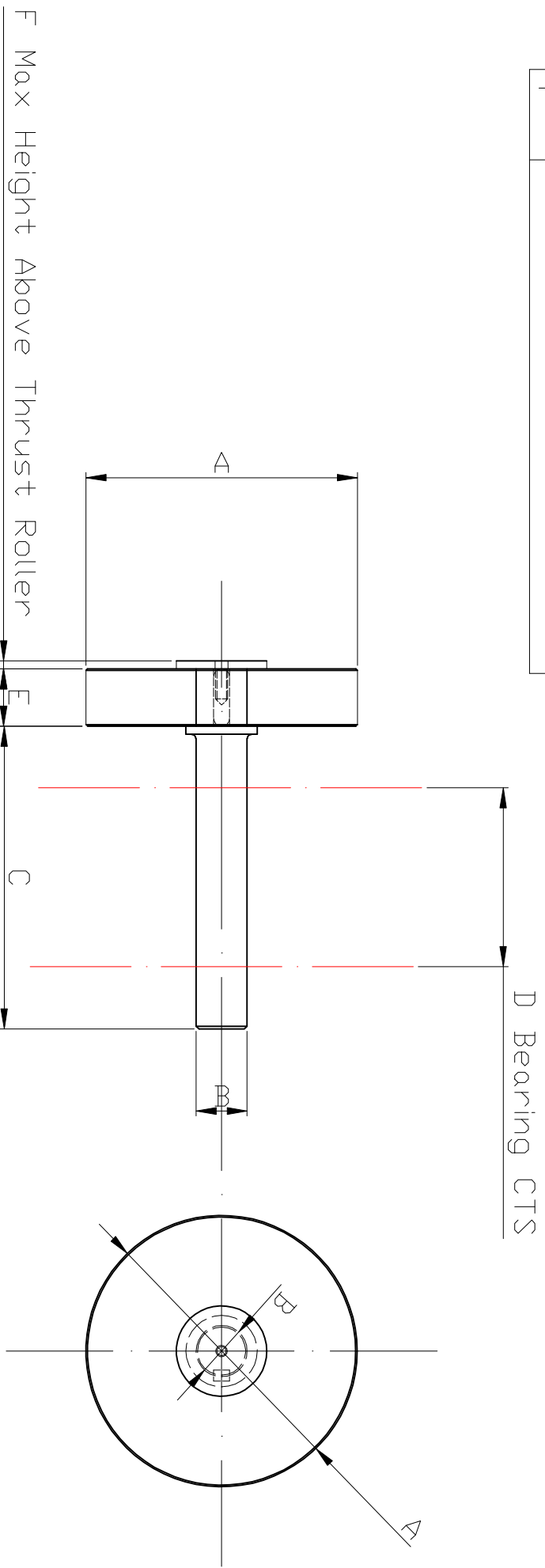


A	
B	
C	
D	
E	
F	

MATERIAL



F Max Height Above Thrust Roller

D Bearing CTS

<p>This drawing is made to your request for a new design and is for your information only. It is not intended for use in any other way. The design is subject to change without notice. The design is the property of the company and is not to be used in any other way.</p>	
<p>Author: Mr. A. V. V. V.</p>	<p>Checked: Mr. A. V. V. V.</p>
<p>Date: 2023/01/01</p>	<p>Scale: 1:1</p>
<p>Notes: None</p>	<p>Other: None</p>

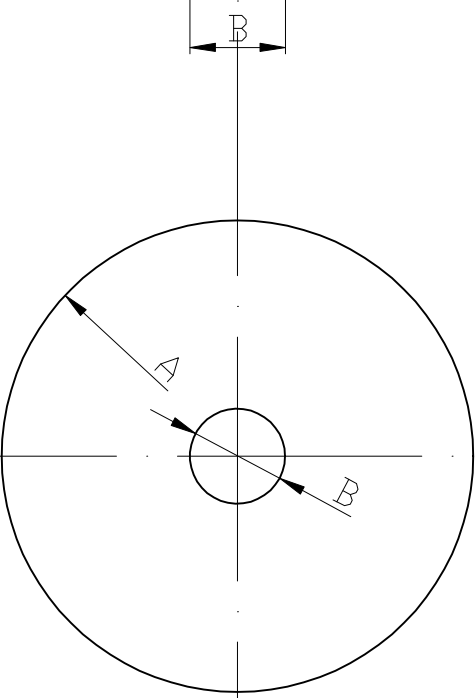
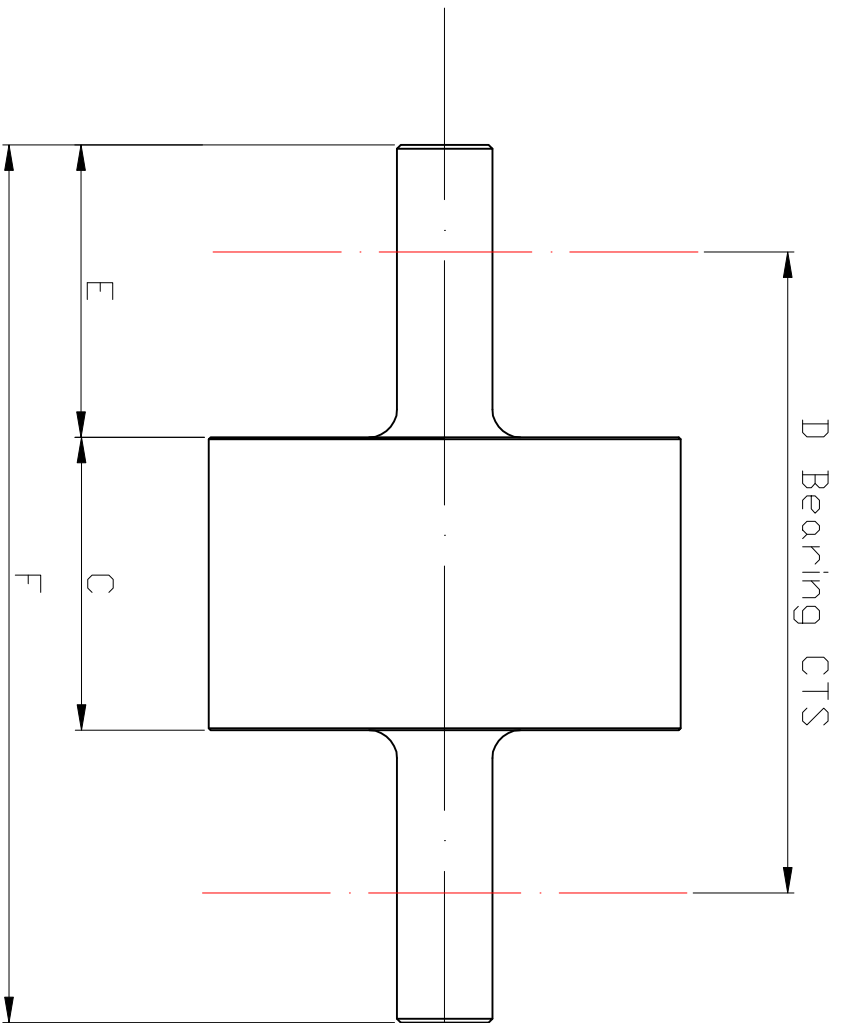
Leyfatts Ltd
ENGINEERING CO.
 Specialist in
 Mechanical Design
 and Manufacturing
 since 1974

The best quality assurance
www.leyfatts.co.uk

The best quality assurance
www.leyfatts.co.uk

A	
B	
C	
D	
E	
F	

MATERIAL



This drawing is made to your request. It is not intended for production and is not to be used for manufacturing. It is for your reference only. The design is subject to change without notice. We are not responsible for any errors or omissions. All dimensions are in millimeters unless otherwise stated.

Customer Name	Customer Name
Customer Address	Customer Address
Customer Contact	Customer Contact
Customer Email	Customer Email
Customer Phone	Customer Phone
Customer Fax	Customer Fax
Customer Website	Customer Website

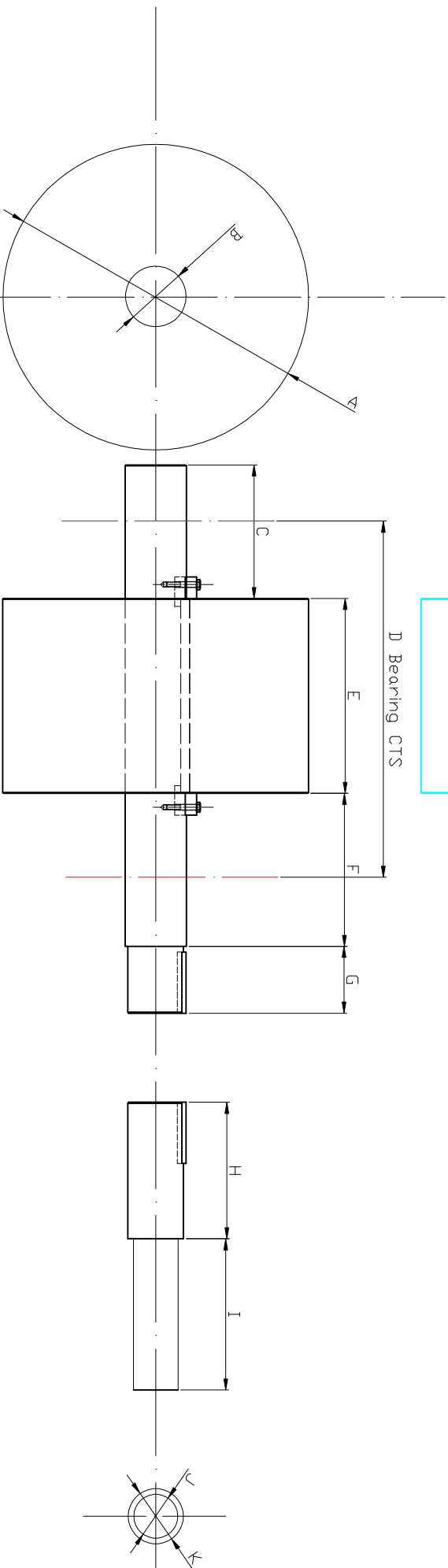
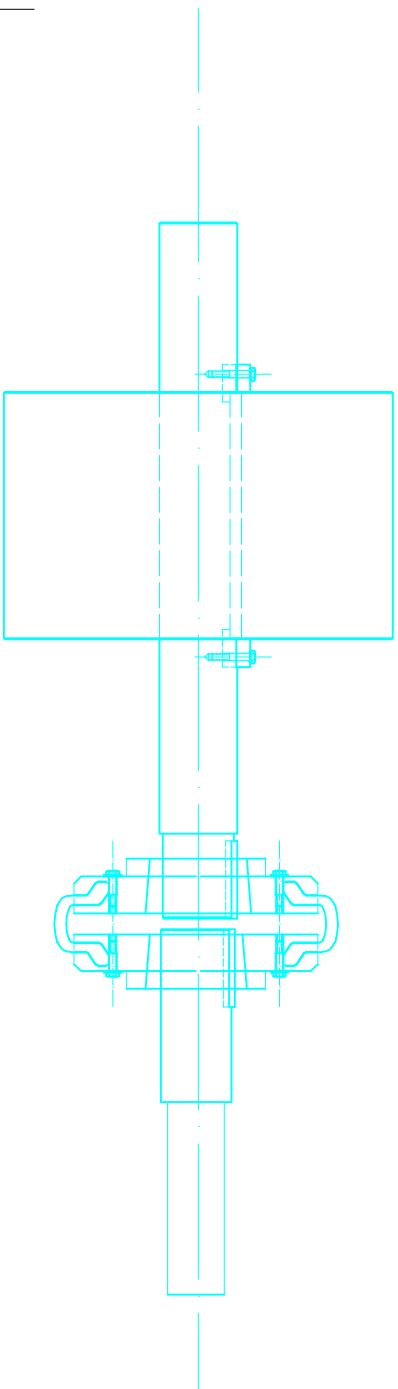


Leyjetts Ltd

ENGINEERING CO.

Quality First
Value for Money
Fast Turnaround
100% J2K

This drawing is made to your request. It is not intended for production and is not to be used for manufacturing. It is for your reference only. The design is subject to change without notice. We are not responsible for any errors or omissions. All dimensions are in millimeters unless otherwise stated.



A	G	
B	H	
C	I	
D	J	
E	K	
F		

MATERIAL

This drawing is made to your request to make your drawing and the manufacturing standards are not intended to be used for any other purpose or to be used in any way other than that intended by the manufacturer.

Business Registration No.	12345678
VAT Registration No.	GB123456789
Company Name	Leyjetts Ltd
Address	123 Main Street, London, UK
Phone	+44 (0)20 1234 5678
Website	www.leyjetts.co.uk



Leyjetts Ltd
ENGINEERING CO.
 Specialist in
 Precision Engineering
 Since 1978

This drawing is made to your request to make your drawing and the manufacturing standards are not intended to be used for any other purpose or to be used in any way other than that intended by the manufacturer.